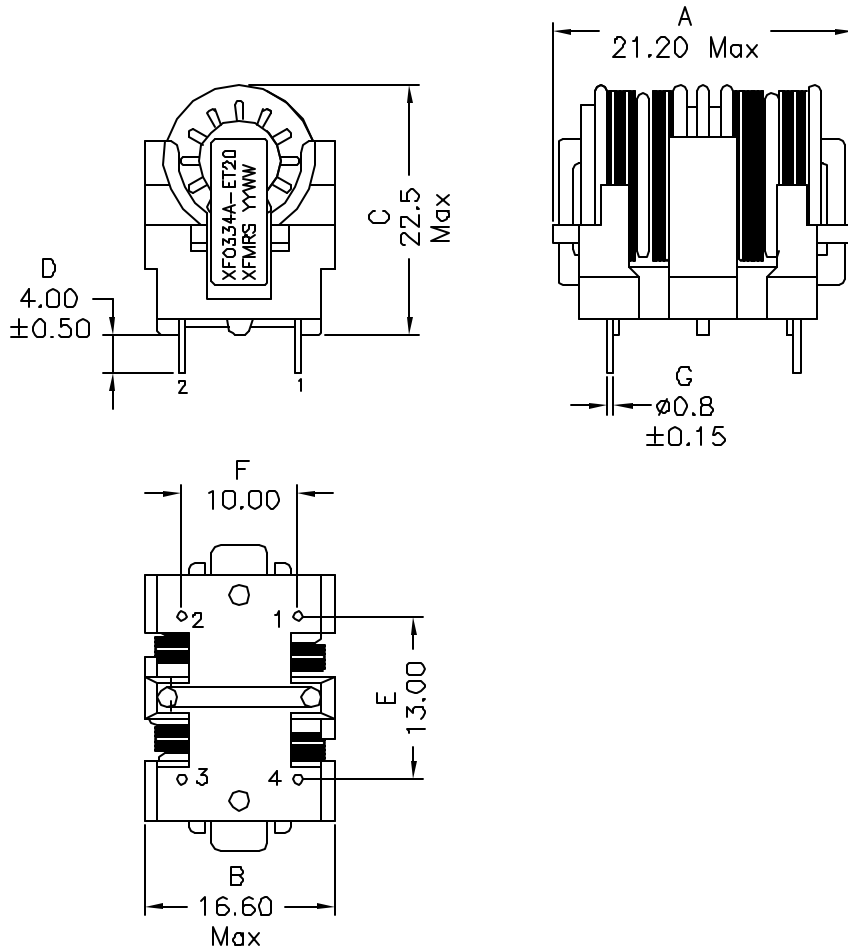
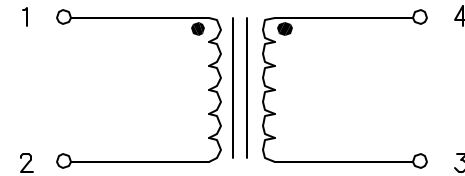


### 1. Mechanical Dimensions:



### 2. Schematic:



### 3. Electrical Specifications:

- OCL: 3.3mH Min @10KHz 0.1V, Each Wdg  
2.2mH Min @10KHz 0.1V -40°C to -0°C
- Q: Pins 1-2 15 Min @10KHz 0.1V
- LL: Pins 1-2 80uH Max @10KHz 0.1V, Short 4+3
- DCR: 0.210 Ohms ±10%, Each Wdg
- IDC: 1.2Arms Max
- Rated Voltage: 250Vac/dc
- Isolation Voltage: 1500Vac Wdg to Wdg

**Notes:**

- Solderability: Leads shall meet MIL-STD-202G, Method 208H for solderability.
- Flammability: UL94V-0
- ASTM oxygen index: > 28%
- Insulation System: Class F 155°C. UL file E151556
- All listed parameters are to be within tolerance from -40°C to +85°C unless otherwise noted.
- Storage Temperature Range: -55°C to +125°C
- Aqueous wash compatible
- Electrical and mechanical specifications 100% tested
- RoHS Compliant Component

DOC REV: A/2

<b>XFMRs Inc</b> www.XFMRs.com	Title: LINE FILTER		
UNLESS OTHERWISE SPECIFIED TOLERANCES: .xx ±0.30 Dimensions in mm SHEET 1 OF 1	P/N: XF0334A-ET20		REV. A
	DWN.	Xianyi	Feb-21-09
	CHK.	YK Liao	Feb-21-09
	APP.	Joe Huff	Feb-21-09